



End Caps for TS35 DIN-Rails

Protect your control panel assemblers from sharp edges!

- Work safely in cabinets
- No deburring required, simply place on the rail ends
- Polyamide end caps fit standard TS35 DIN-rails
- One version for the shallow 7.5mm rail and another for the deeper 15mm



Special Price of \$0.25

Catalog #	Description	Regular Price	Special Price
1283470000	TS END CAP 35X7.5	\$0.48 ea.	\$0.25 ea.
1283480000	TS END CAP 35X15	\$0.48 ea.	\$0.25 ea.

Email us with your orders or questions;

info@jentrionics.ca

Please reference Q1-2016 with your orders

QUOTATION #Q1-2016

This number must appear on purchase order to receive special prices.

Valid from January 1st until March 31st, 2016

Q-Specials 2016

1st Quarter

Special Price from \$300.00



Gigabit Ethernet Switches

Unmanaged Gigabit Ethernet Switches

- Full Gigabit Ethernet on all ports
- Redundant dual 12/24/48Vdc power inputs
- Relay output warning for power failure and port break alarm
- Broadcast storm protection
- Supports jumbo frame transmission (up to 9.6 KB)
- Standard operating temperature range of 0 to 60°C

Access our complete product information via the QR code for more options like:

- Extended temperature range versions from -40 to +75°C
- Variants with slots for Gigabit SFP transceivers (6 copper + 2 SFP)



Catalog #	Description	Regular Price	Special Price
1241250000	IE-SW-BL05-5GT	\$529.50 ea.	\$300.00 ea.
1241270000	IE-SW-VL08-8GT	\$764.30 ea.	\$475.00 ea.

Weidmüller Canada Infoline: 1-800-268-4080
Weidmüller Canada Fax: 1-877-300-5635
support@weidmuller.ca ISO 9001:2008 Registered

For an electronic copy of this Q-Special:
http://www.weidmuller.ca/q-specials_ca



ISO 9001:2008
10011561 QM08

Q-Specials

Special Price from \$15.00



connectPower Branch Circuit Breakers

UL489/CSA C22.2 No.5-02 and UL1077/CSA C22.2 No.235 compliant 1, 2 and 3-pole-type circuit breakers from 0.5 to 60 Amperes and with type C and D characteristics.

- 277/480V rated (<30A)
 - cULus approval
 - High vibration / mechanical shock resistance
 - 240V rated (<63A)
 - Screw or ring-lug termination options
- A selected few are on special this quarter.



Catalog #	Description	Regular Price	Special Price
BR1C1AC	BRANCH/1P CCTBRKR/C CURVE/1A	\$21.90 ea.	\$15.00 ea.
BR1C2AC	BRANCH/1P CCTBRKR/C CURVE/2A	\$21.90 ea.	\$15.00 ea.
BR1C5AC	BRANCH/1P CCTBRKR/C CURVE/5A	\$21.90 ea.	\$15.00 ea.
BR1C10AC	BRANCH/1P CCTBRKR/C CURVE/10A	\$21.90 ea.	\$15.00 ea.
BR1C15AC	BRANCH/1P CCTBRKR/C CURVE/15A	\$21.90 ea.	\$15.00 ea.
BR1C20AC	BRANCH/1P CCT BRKR/C CURVE/20A	\$21.90 ea.	\$15.00 ea.
BR1C25AC	BRANCH/1P CCTBRKR/C CURVE/25A	\$21.90 ea.	\$15.00 ea.
BR1C30AC	BRANCH/1P CCTBRKR/C CURVE/30A	\$21.90 ea.	\$15.00 ea.
BR1C40AC	BRANCH/1P CCTBRKR/C CURVE/40A	\$24.00 ea.	\$16.50 ea.
BR1C50AC	BRANCH/1P CCTBRKR/C CURVE/50A	\$24.00 ea.	\$16.50 ea.

Special Price from \$18.50



DIN-Rail Mountable Duplex Receptacles

These DIN-rail receptacles are enclosed 15A or 20A (with or without GFI) power outlets that provide a convenient power source for portable computers or test devices for in-the-panel troubleshooting.

- Easy to wire
- Panel mountable
- Effortlessly snaps onto 35mm DIN-rail
- Available with ground fault current interrupt (GFCI)
- Visual indication of power included with GFCI
- NEMA rated enclosure with UL94 V0 flammability rating
- cULus approved according to UL508A/CSA C22.2 No.1



Catalog #	Description	Regular Price	Special Price
6720005420	DRAC DP 20	\$35.50 ea.	\$25.00 ea.
6720005421	DRAC DP 15	\$27.10 ea.	\$18.50 ea.
6720005422	DRAC GF 15	\$53.70 ea.	\$36.50 ea.
6720005423	DRAC GF 20	\$57.70 ea.	\$39.00 ea.

Special Price from \$0.80



Switch/ Push-Button Markers

Single piece markers printable with our PrintJet Advanced or plotter printing systems for 22mm or 30mm devices like rotary switches, emergency-stop push buttons or indicator lights or LED.

- Marking area of 27mm wide by 18mm high for 22mm diameter devices; available in white or gray
- Marking area of 36mm wide by 18mm high for 30mm diameter devices; available in white or gray
- Yellow 60mm diameter round marker for 22mm diameter devices; ideal for emergency-stop buttons

Catalog #	Description	Regular Price	Special Price
1428170000	SM 27/18-22 K MC NE WS (WHITE) 40 per pack	\$1.40 ea.	\$0.80 ea.
1428180000	SM 27/18-22 K MC NE GR (GRAY) 40 per pack	\$1.40 ea.	\$0.80 ea.
1428190000	SM 36/18-30 K MC NE WS (WHITE) 20 per pack	\$1.53 ea.	\$0.90 ea.
1428200000	SM 36/18-30 K MC (GRAY) 20 per pack	\$1.53 ea.	\$0.90 ea.
1323750000	SM DIA 60-22 K MC NE GE 10 per pack	\$1.86 ea.	\$1.00 ea.

Special Price of \$26.65



Non-Incendive Barriers

9916290000: This terminal block allows circuits to be designated "Non-Incendive". A typical application would involve a unique signal from the hazardous area "2" to a 24Vdc DIGITAL input on PLC in the safe area.

Features include:

- Combifoot mounting for TS32 and TS35 DIN-rails
- Only 12mm wide with end plate (included)
- Clear marking of terminals for easy installation
- CSA certified for Class 1, Division 2, Groups A, B, C and D, T3C (160°C)

9918010000: This terminal block is designed to limit current of a 4-20mA ANALOG loop to a 2-wire field transmitter preventing short circuits from causing the power supply in the safe area to turn off. In the event of a short circuit in the field, the maximum current draw from the power supply is 24mA; therefore a short in one loop will not cause the power supply to turn off and shut down a complete system.

Features include:

- Combifoot mounting for TS32 and TS35 DIN-rails
- Red LED indication plus separate digital output to indicate a short back to the controller
- Requires just 8mm of rail space (9.5mm with the included end plate)
- CSA Class 1, Division 2 approved, Groups A, B, C and D

Catalog #	Description	Regular Price	Special Price
9916290000	MC6 NON-INCENDIVE BARRIER(DIG)	\$29.80 ea.	\$26.65 ea.
9918010000	MC6 NON-INCENDIVE BARRIER(ANG)	\$58.00 ea.	\$50.75 ea.

HELP US CONSERVE!!!

If you would prefer an electronic copy, contact: marketing@weidmuller.ca

CONDITIONS: Prices valid from January 1, 2016 to March 31, 2016. Orders must be received by Weidmuller by this date. Orders must be sent to an authorized Weidmuller distributor. Orders must reference quotation number Q1-2016. Please note that all prices (Regular Price and Special Price) are suggested pricing only.

ACT20P-PRO DCDC II Universal DC Signal Conditioner Module

New!

The next evolution in high process reliability and accuracy in a universal, innovative signal converter is our ACT20P-PRO DCDC II. Featuring a newly integrated display together with DIP switches and push-buttons on the face of the unit makes the configuration of special ranges quick and easy even without a manual; no external devices are required. A universal power supply of 24 to 230Vac/dc complements this unit perfectly. It isolates and converts any kind of DC field signals into standard outputs which can be sent to any standard analog input controller.

Configuration via display or DIP-Switches on the front panel

- Innovative and integrated display
- Direct value setting of specific ranges via push buttons
- No potentiometers to adjust



Safe connections

- Individual, configurable protection against mismatching
- Simple and quick removal of connectors due to the integrated levers

Worldwide usage

A wide range of approvals including cULus Listed C1D2 for hazardous locations

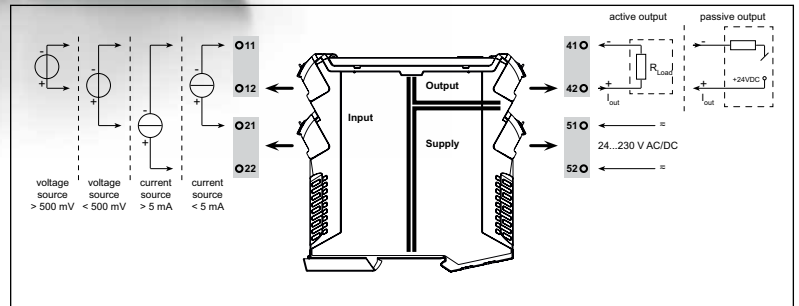


Best in the market with its Universal Input

- Voltage from -300 to +300Vdc
- Current from -100 to +100mA

Other enhanced features of 1481970000, ACT20P-PRO DCDC II

- Universal power supply of 24 to 230Vac/dc (-20 to +15%)
- Market leading 0.05% span accuracy
- Wide range selectable input (voltage or current)
- Selectable output:
 - Voltage output of -10 to +10Vdc (source)
 - Current output of -20 to +20mA (source or sink for DCS powered inputs)
- Input shortage and wire break detection levels
- High rated voltage of 600V / Isolation voltage of 4kV
- Operating temperature range of -25 to +70°C
- Only 12.5mm wide on the DIN-rail



Your signal in safe hands

Other UNIVERSAL analog signal conditioners/converters from Weidmüller

ACT20X-HUI-SAO, 8965490000

- For **intrinsically safe** field signals
- **Software** configurable for its wide unipolar input
- DC voltage and current as well as RTD, thermocouple and resistance field signals
- Current output plus status relay output
- International approvals including cULus Listed C1D2, ATEX and IECEx

ACT20M-UI-AO, 1176030000

- Current or voltage output
- **Software** configurable for its wide unipolar input
- DC voltage and current as well as RTD, thermocouple and resistance field signals
- **0.05% span accuracy** and only **6mm wide**
- International approvals including cULus Listed C1D2, ATEX and IECEx

Coming soon... ACT20P-ITX+, 1453210000

- **Software** configurable for its wide bi-polar input
- AC/DC voltage and current as well as RTD, thermocouple and resistance field signals
- Current **output loop powered** 4-20mA plus additional transistor output
- International approvals including cULus Listed C1D2 and ATEX

Wave TTA, 8939670000

- **Software** configurable for its wide bi-polar input
- DC voltage and current as well as RTD, thermocouple and resistance field signals
- **Bipolar output** (current or voltage) plus **2 set-point relay** contacts
- **0.05% span accuracy**
- **-40 to +70°C operating temperature range**
- **Universal power supply of 24 to 230Vac/dc**
- International approvals including cULus Listed C1D2 and ATEX

ACT20X-HUI-SAO-LP, 1318220000

- For **intrinsically safe** field signals
- **Software** configurable for its wide bi-polar input
- DC voltage and current as well as RTD, thermocouple and resistance field signals
- Current **output loop powered** 4-20mA
- Only **12.5mm wide**
- International approvals including cULus Listed C1D2, ATEX and IECEx

PRO DC/DC Power Isolators

New!

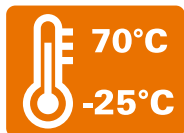
Our new compact DC/DC converters provide systems with optimal failure protection for maximum availability.

- Compensation of voltage fluctuations
- Regeneration of the output voltage for a stable voltage at the end of long cables
- Establishment of floating supply systems through galvanic isolation
- Above-average performance data

Product Features

Robust and reliable

- Reliable operation throughout a wide temperature range of -25°C to +70°C (-40°C startup)
- High MTBF value of > 1.000.000 hours



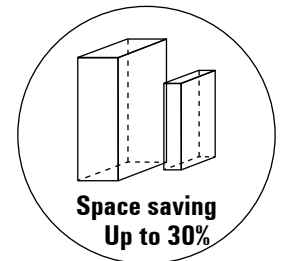
Rapid status diagnosis

LED indicators and integrated status relay and transistor outputs facilitate status and rapid error analysis.



Space saving

Perfectly suitable for all standard control cabinets; compact design can save up to 30% of cabinet space.



Energy saving

High efficiency up to 94% and low idling power losses ensure low energy consumption and long product life time.



Comprehensive applications around the world

Reliable usage in different regions and industries because of the international approvals (cULus Listed, Class 1 Div 2, GL, DNV and ATEX).



The compact DC/DC converters feature Protection Class III. They are suitable for applications in floating systems (e.g. emergency backup systems in ships).

Extraordinary performance:

- High efficiency up to 94%
- High shock and vibration immunity
- Narrow housing
- Galvanic isolation: Protection Class III
- Wide input voltage range of 14 to 32Vdc
- Full load current up to 60°C
- Output voltage adjustable from 22.5 to 29.5Vdc
- Super boost with more than 600% the nominal current for 16 ms
- Integrated status relay and active switching outputs
- Comprehensive international approvals : TUV, cULus Listed, Class 1 Div 2, ATEX, GL, DNV, ABS, BV, RINA, LR

All these make these converters all-rounders in all 24Vdc supply systems!

PRO DC/DC Converters - Ordering information

Type	Catalog Number	Input /Output Voltage	Output Current
PRO DCDC 120W 24V 5A	2001800000	24Vdc	5A
PRO DCDC 240W 24V 10A	2001810000	24Vdc	10A
PRO DCDC 480W 24V 20A	2001820000	24Vdc	20A

Accessory Modules for different applications

Type	Catalog Number	Application Note
CP DM 10	8710620000	Diode module 10A for redundancy power
CP M DM20	1222210000	Diode module 20A for redundancy power
CP M DM40	1222220000	Diode module 40A for redundancy power
CP DC UPS 24V 20A/10A	1370050010	DC UPS for 10A/20A
CP DC UPS 24V 40A	1370040010	DC UPS for 40A
CP A BATTERY 24 V DC 1,3 Ah	1406930000	1.3Ah battery
CP A BATTERY 24 V DC 3,4 Ah	1251070000	3.4Ah battery

Innovative products for industrial automation

